

MACHINE MAKE & MODEL: \_\_\_\_\_

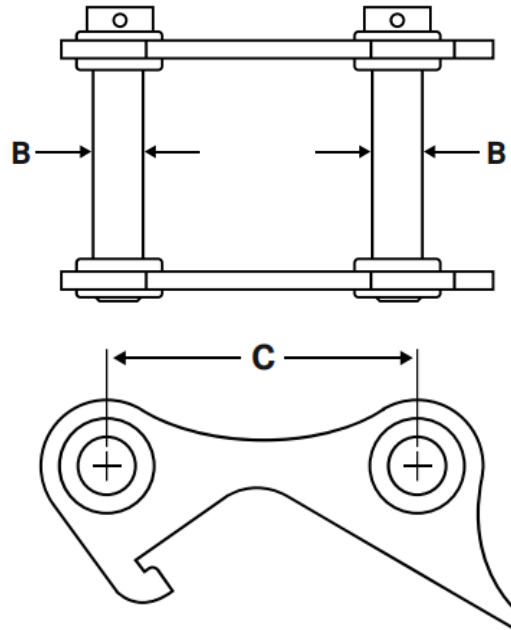
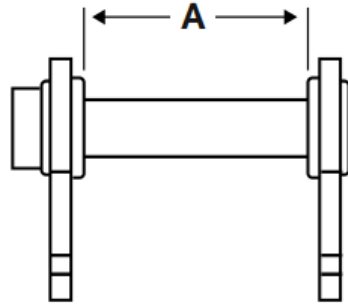
## PIN INFORMATION

REMOVABLE PINS? (Circle) YES/NO

A – BETWEEN BOSSES: \_\_\_\_\_ mm

B – PIN DIAMETERS: \_\_\_\_\_ mm

C – PIN CENTRES: \_\_\_\_\_ mm



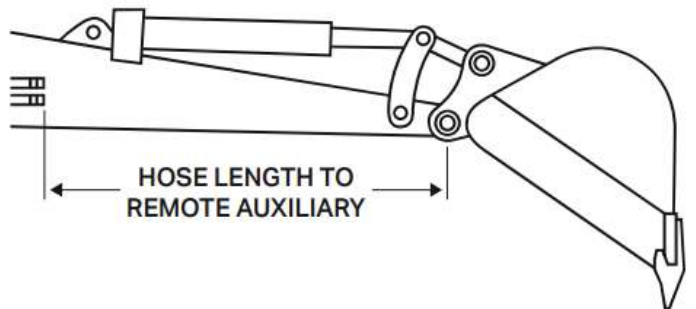
## HOSE INFORMATION

HOSE LENGTH: \_\_\_\_\_ mm

(Auxiliary Hydraulics)

### NOTE:

**If you have hydraulic/tilt hitch  
please measure from bucket pickup.**



I HERE AGREE THAT THESE MEASUREMENTS ARE CORRECT.

Name: \_\_\_\_\_

Signed: \_\_\_\_\_

DATE:     /     /